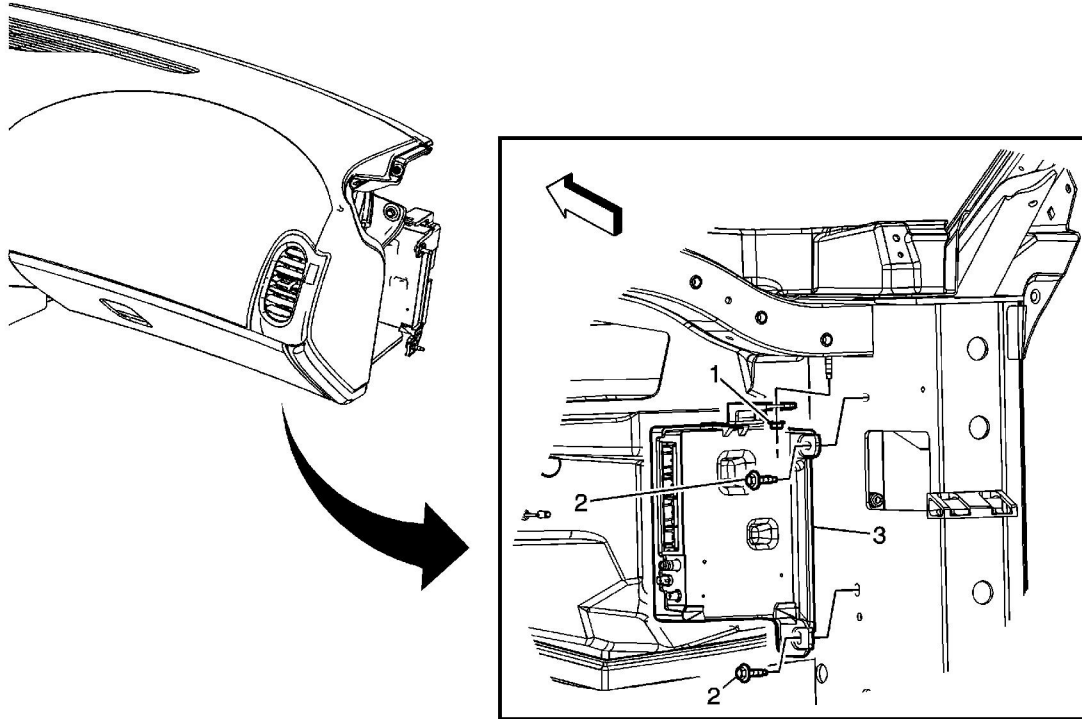


Communication Interface Module Bracket Replacement



Callout	Component Name
<h2>Preliminary Procedure</h2>	
<p>Remove the instrument panel insulator right panel. Refer to Instrument Panel Insulator Panel Replacement.</p>	
<p>1</p>	<p>Communication Interface Module Nut (Qty: 1) Caution: Refer to Fastener Caution in the Preface section. Tighten 3 N·m (27 lb in)</p>
<p>2</p>	<p>Communication Interface Module Bolt Screw (Qty: 2) Caution: Refer to Fastener Caution in the Preface section. Tighten 3 N·m (27 lb in)</p>
<p>Communication Interface Module Bracket</p>	

© 2011 General Motors Corporation. All rights reserved.

Procedure

3

1. Disconnect the electrical connections.
2. If replacing the communication interface module be sure to transfer Bluetooth antenna, if equipped.
3. For programming and set up procedures, refer to [Control Module References](#).